

Ручные инструменты для разных задач

Технические характеристики

По вопросам продаж и поддержки обращайтесь:

Алматы (727)345-47-04
Ангарск (3955)60-70-56
Архангельск (8182)63-90-72
Астрахань (8512)99-46-04
Барнаул (3852)73-04-60
Белгород (4722)40-23-64
Благовещенск (4162)22-76-07
Брянск (4832)59-03-52
Владивосток (423)249-28-31
Владикавказ (8672)28-90-48
Владимир (4922)49-43-18
Волгоград (844)278-03-48
Вологда (8172)26-41-59
Воронеж (473)204-51-73
Екатеринбург (343)384-55-89

Иваново (4932)77-34-06
Ижевск (3412)26-03-58
Иркутск (395)279-98-46
Казань (843)206-01-48
Калининград (4012)72-03-81
Калуга (4842)92-23-67
Кемерово (3842)65-04-62
Киров (8332)68-02-04
Коломна (4966)23-41-49
Кострома (4942)77-07-48
Краснодар (861)203-40-90
Красноярск (391)204-63-61
Курск (4712)77-13-04
Курган (3522)50-90-47
Липецк (4742)52-20-81

Магнитогорск (3519)55-03-13
Москва (495)268-04-70
Мурманск (8152)59-64-93
Набережные Челны (8552)20-53-41
Нижний Новгород (831)429-08-12
Новокузнецк (3843)20-46-81
Ноябрьск (3496)41-32-12
Новосибирск (383)227-86-73
Омск (3812)21-46-40
Орел (4862)44-53-42
Оренбург (3532)37-68-04
Пенза (8412)22-31-16
Петрозаводск (8142)55-98-37
Псков (8112)59-10-37
Пермь (342)205-81-47

Ростов-на-Дону (863)308-18-15
Рязань (4912)46-61-64
Самара (846)206-03-16
Санкт-Петербург (812)309-46-40
Саратов (845)249-38-78
Севастополь (8692)22-31-93
Саранск (8342)22-96-24
Симферополь (3652)67-13-56
Смоленск (4812)29-41-54
Сочи (862)225-72-31
Ставрополь (8652)20-65-13
Сургут (3462)77-98-35
Сыктывкар (8212)25-95-17
Тамбов (4752)50-40-97
Тверь (4822)63-31-35

Тольятти (8482)63-91-07
Томск (3822)98-41-53
Тула (4872)33-79-87
Тюмень (3452)66-21-18
Ульяновск (8422)24-23-59
Улан-Удэ (3012)59-97-51
Уфа (347)229-48-12
Хабаровск (4212)92-98-04
Чебоксары (8352)28-53-07
Челябинск (351)202-03-61
Череповец (8202)49-02-64
Чита (3022)38-34-83
Якутск (4112)23-90-97
Ярославль (4852)69-52-93

Россия +7(495)268-04-70

Казахстан +(727)345-47-04

Беларусь +(375)257-127-884

Узбекистан +998(71)205-18-59

Киргизия +996(312)96-26-47

эл.почта: ayf@nt-rt.ru || сайт: <https://alegacy.nt-rt.ru/>



TOMATO SLICER

Prepares perfect tomato slices, quickly and safely. Can also be used to slice strawberries and mushrooms in a high volume commercial operation. Positive stop arm.

ITEM	IN	CM	PACK
75870	19 x 10 x 9 3/4	48.3 x 25.4 x 24.8	1



TOMATO SLICER- BLADE ONLY

	LENGTH		
	IN	CM	PACK
75870B	11 1/2 x 3	29.2 x 7.6	1



GRILL SCREEN HOLDER

Use this metal holder to protect your hands and provide even pressure on the grill. The clamp action holds the grill screen securely and permits easy changing.

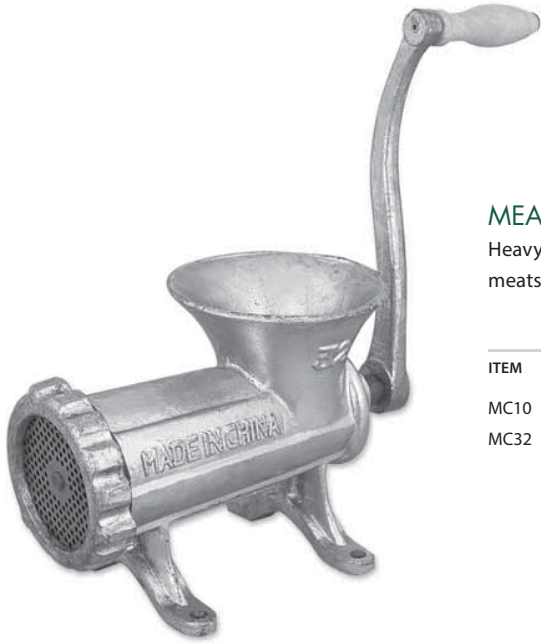
ITEM	IN	CM	PACK
3300	5 x 3	12.7 x 7.6	12



GRILL CLEANER SCREEN

Strong, flexible mesh is covered on both sides with sharp, abrasive grains. Use them to quickly cut away even the most stubborn burned spots. They are easy to use: just pour a little grease on the warm grill, hold the screen down on the grill with the holder to protect your hand, and rub briskly, but lightly. Wipe with a clean cloth to see your grill sparkle once again.

ITEM	SHEETS PER ENVELOPE	IN	CM	ENVELOPES PER CASE
3100EP	8	4 1/2 x 5 1/2	11.4 x 14	50



MEAT CHOPPER

Heavy-duty meat chopper makes ground beef, other ground meats, and more. Furnished with a 3/16" (.5 cm) plate.

ITEM	DESCRIPTION	PLATE DIAMETER		
		IN	CM	PACK
MC10	Standard	2 1/2	6.4	1
MC32	Heavy-Duty	3 3/4	9.5	1

SUNKIST ELECTRIC JUICER

Make fresh juices every day with the Sunkist electric juicer. Juicer has a 1 1/4 hp motor with a non-corroding switch, 1750 RPM for clean, smooth reaming and sealed, lifetime bearings. Unit is 17" (43.2 cm) high by 8" (20.3 cm) in diameter. UL listed.

ITEM	CURRENT	PACK
8J	115V/50C	1
8J230-50	230V/50C	1
8J230-60	230V/60C	1



8J

MANUAL JUICERS

Sturdy commercial tabletop juicers make juice production fast and easy. Makes more juice with less waste from a citrus half. Available in black enamel finish with cast aluminum and porcelain components (#75861) or in a chrome-plated body with an 18/8 stainless steel juicer cup (#75858).

ITEM	DESCRIPTION	IN	CM	PACK
75858	Small Deluxe	5 x 7 x 19	12.7 x 17.8 x 48.3	1
75861	Large Heavy-Duty	7 x 9 x 23	17.8 x 22.9 x 58.4	1



75861



75858



ALEGACY FRENCH FRY CUTTER

Heavy-duty cast body, cast iron handle, and stainless steel trough. The frame, pusher block, and cutting frame are all rust proof. Has a capacity of potatoes 6" (15.2 cm) long and up to 50 lb (22.7 kg) of potatoes per hour. Can be wall or table mounted.

ITEM	DESCRIPTION	PACK
A250	1/4" (.6 cm) Cut	1
A375	3/8" (1 cm) Cut	1
A500	1/2" (1.3 cm) Cut	1



FRENCH FRY CUTTER PARTS LIST

ITEM	DESCRIPTION
A1	Handle
A2	Bolt Nut and Screw
A3	Front End Casting
A4	Wing Nut
A5	Slide Rod
A6	Slide Rod Nut
A7C	Back End Casting
A8L	Link Connector Screw & Nut
A9P	Potato Pusher
A10P	Pusher Connector Casting
A11P	Pusher Connector Screw
A12P	Pusher Block Screw
A13L	Link
A14B	Blade Locking Screw
A15C	1/4" (.6 cm) Cutting Frame
A15S	3/8" (.9 cm) Cutting Frame
A15F	1/2" (1.3 cm) Cutting Frame
A16S	3/8" (.9 cm) Pusher Block
A16C	1/4" (.6 cm) Pusher Block
A16F	1/2" (1.3 cm) Pusher Block
A17T	Tray

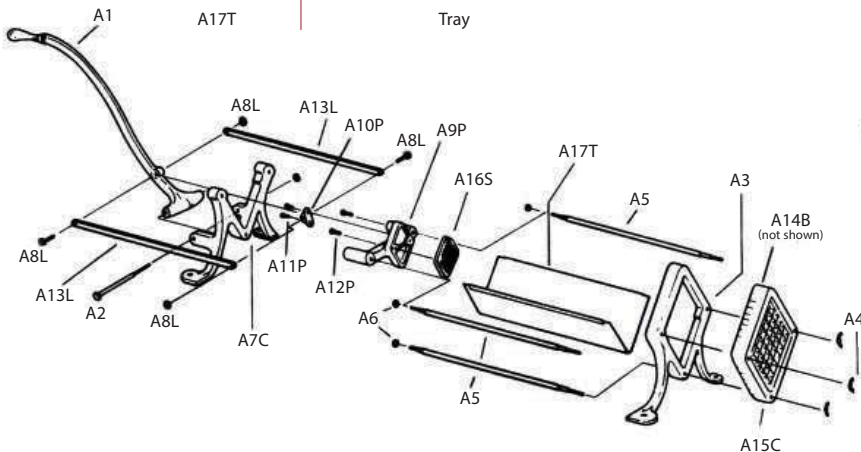
ALEGACY POTATO WEDGE CUTTER

Saves time and money with fast, one-step cutting. Makes potato wedges, french fries, and more with accessory attachments available.

ITEM	DESCRIPTION	PACK
ALW6	6 Cut Wedge Shape	1
ALW8	8 Cut Wedge Shape	1

WEDGE CUTTER PARTS

ITEM	DESCRIPTION	PACK
ALW6C	Wedge Cutter, 6 Cut	1
ALW6P	Pusher Block, 6 Cut	1
ALW8C	Wedge Cutter, 8 Cut	1
ALW8P	Pusher Block, 8 Cut	1





FFB20L

FRENCH FRY BAGGER

Convenient right handed, left handed, and dual models provide for easy collecting and bagging of french fries. Made of 18/8 stainless steel with a bakelite handle. Also available in plastic.

DIMENSIONS (D X H)

ITEM	IN	CM	PACK
FFB10R	9 X 8	22.9 X 20.3	12
FFB20L	9 X 8	22.9 X 20.3	12
FFB30D	9 X 8	22.9 X 20.3	12
PFFB10R	9 X 8	22.9 X 20.3	12
PFFB20L	9 X 8	22.9 X 20.3	12
PFFB30D	9 X 8	22.9 X 20.3	12



PFFB10R



FFB30D



NOODLE CUTTER

This table mounted pasta machine cuts noodles as fine as angel hair, or as wide as lasagna. Stainless steel body disassembles easily for cleaning. Furnished with a fine and medium roller and a table clamp.

ITEM	IN	CM	PACK
12151	7 1/2 x 7 1/2 x 5	19.1 x 19.1 x 12.7	1

HAND CHEESE GRATER

Hand held cheese grater is made to withstand the rigors of frequent use in the kitchen or at tableside.

ITEM	IN	CM	PACK
72667	5 1/2 x 3 3/8 x 3 1/4	13.9 x 8.6 x 8.3	1



По вопросам продаж и поддержки обращайтесь:

Алматы (727)345-47-04
Ангарск (3955)60-70-56
Архангельск (8182)63-90-72
Астрахань (8512)99-46-04
Барнаул (3852)73-04-60
Белгород (4722)40-23-64
Благовещенск (4162)22-76-07
Брянск (4832)59-03-52
Владивосток (423)249-28-31
Владикавказ (8672)28-90-48
Владимир (4922)49-43-18
Волгоград (844)278-03-48
Вологда (8172)26-41-59
Воронеж (473)204-51-73
Екатеринбург (343)384-55-89

Иваново (4932)77-34-06
Ижевск (3412)26-03-58
Иркутск (395)279-98-46
Казань (843)206-01-48
Калининград (4012)72-03-81
Калуга (4842)92-23-67
Кемерово (3842)65-04-62
Киров (8332)68-02-04
Коломна (4966)23-41-49
Кострома (4942)77-07-48
Краснодар (861)203-40-90
Красноярск (391)204-63-61
Курск (4712)77-13-04
Курган (3522)50-90-47
Липецк (4742)52-20-81

Магнитогорск (3519)55-03-13
Москва (495)268-04-70
Мурманск (8152)59-64-93
Набережные Челны (8552)20-53-41
Новокузнецк (3843)20-46-81
Ноябрьск (3496)41-32-12
Новосибирск (383)227-86-73
Омск (3812)21-46-40
Орел (4862)44-53-42
Оренбург (3532)37-68-04
Пенза (8412)22-31-16
Петрозаводск (8142)55-98-37
Псков (8112)59-10-37
Пермь (342)205-81-47

Ростов-на-Дону (863)308-18-15
Рязань (4912)46-61-64
Самара (846)206-03-16
Санкт-Петербург (812)309-46-40
Саратов (845)249-38-78
Севастополь (8692)22-31-93
Саранск (8342)22-96-24
Симферополь (3652)67-13-56
Смоленск (4812)29-41-54
Сочи (862)225-72-31
Ставрополь (8652)20-65-13
Сургут (3462)77-98-35
Сыктывкар (8212)25-95-17
Тамбов (4752)50-40-97
Тверь (4822)63-31-35

Тольятти (8482)63-91-07
Томск (3822)98-41-53
Тула (4872)33-79-87
Тюмень (3452)66-21-18
Ульяновск (8422)24-23-59
Улан-Удэ (3012)59-97-51
Уфа (347)229-48-12
Хабаровск (4212)92-98-04
Чебоксары (8352)28-53-07
Челябинск (351)202-03-61
Череповец (8202)49-02-64
Чита (3022)38-34-83
Якутск (4112)23-90-97
Ярославль (4852)69-52-93

Россия +7(495)268-04-70

Казахстан +(727)345-47-04

Беларусь +(375)257-127-884

Узбекистан +998(71)205-18-59

Киргизия +996(312)96-26-47

эл.почта: ayf@nt-rt.ru || сайт: <https://alegacy.nt-rt.ru/>